



PRODUCT DESCRIPTION

The Nesylite is a compact softlight for use on the set and the ideal lighting fixture for reporter teams because of its extremely low connected load.

Electronic ballast and electronics are neatly integrated in a stable metal housing, yet the light is very convenient, being extremely light in weight.

The robust construction, which does without any sensitive plastic parts on the housing, makes the light a reliable companion at extreme temperatures on the set.

Impressive is also the very high light output – equipped with four Nesys 55 Watt fluorescent tubes, the light output

is comparable with a 1 kW halogen light!

With the extensive range of accessories the Nesylite can be adapted to suit the desired purpose fast and at low cost. If, for instance, one uses the DMX controls, almost any number of lights can be switched in series and operated with a single control unit.



STANDARD EQUIPMENT

- Integrated two-leaf barndoor
- 2m mains cable with Schuko plug
- Optional control via DMX or conventional dimmer (Phase control 0V – 240V)
- Remote control with 2m cable, dimmer settings from 0 – 100%
- Alternatively with a 16 mm (0.6") ball joint head or manual yoke
- Optional: 110V or 230V
- Without fluorescent tubes

OPTIONS

- Nesys fluorescent tubes 55 W in "Studio" (3200K) or "Daylight" (5600K) light colours
can be used together with halogen or HMI lamps. It is not necessary to use filters.
- Radio-operated remote control for up to 1,000 units, also in groups
- Reflecting two-leaf barndoor
Ensures high light output.
- Gelframe
The gelframe is inserted into the guides on the narrow side of the light.
- Honeycomb (egg crate)
- Yoke with 16 mm or 28 mm spigot
- Ball joint head
- Lightweight stand
- Case for two lights including accessories:
The Nesylite case houses two lighting fixtures as well as the customary accessories for working on location.
- Automatic 110/230 V recognition

Nesys



NesyLite 110 | 220 | 330

Professional lighting system for sets and locations

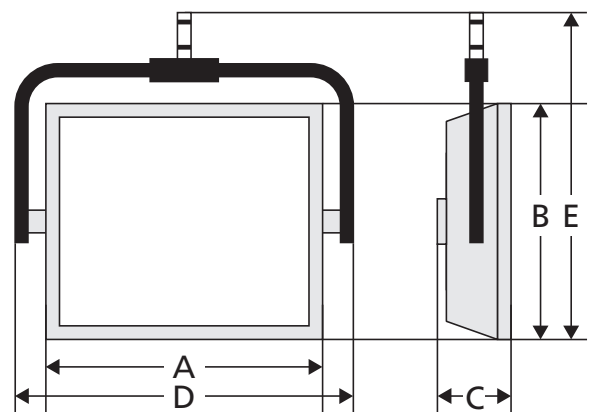
Technical Data	NesyLite 110	NesyLite 220	NesyLite 330
Dimensions (LxWxD)	615 x 140 x 85mm	615 x 218 x 85mm	615 x 300 x 85mm
Weight	1.95 kg (4.2 lb) incl. electronics and fluorescent tubes	3.75 kg (8.2 lb) incl. electronics and fluorescent tubes	4.5 kg (9.9 lb) incl. electronics and fluorescent tubes
Equipped with:	2 x Nesys 55 W fluorescent tube	4 x Nesys 55 W fluorescent tube	6 x Nesys 55 W fluorescent tube
Light colours	3,200 K Studio or 5,600 K Daylight		
Sockets	2 x 2 G 11	4 x 2 G 11	6 x 2 G 11
Power supply	230V / 50Hz/60Hz or 120V / 60Hz, approx. 0,75 A	230V / 50Hz/60Hz or 120V / 60Hz, approx. 1,5 A	230V / 50Hz/60Hz or 120V / 60Hz, approx. 2,3 A
	2m cable with Schuko plug		
Working temperature	-30°C bis +70°C, rel. ambient temperature (-22°F to 158°F)		
Humidity	0% to 95%, non condensation forming		
Mounting	Mounting point for optional ball joint head on the back of lighting fixture, for the optional yoke on the sides. The mounting handle on the back of the lighting fixture can be removed. The rear wall is completely flat; the light can therefore be mounted with Velcro.		
Dimming range	0 – 100%		



Light output (lux) (fc)	1 m (3.2 ft)	2 m (6.5 ft)	3 m (9.8 ft)
NesyLite 110 Standard	1,790 (fc:166.3)	520 (fc:48.3)	260 (fc: 24.1)
with reflecting barndoors	2,390 (fc: 222.1)	710 (fc:65.9)	315 (fc: 29.4)
NesyLite 220 Standard	3,340 (fc: 310.4)	920 (fc: 85.5)	470 (fc: 43.6)
with reflecting barndoors	4,400 (fc: 408.9)	1,250 (fc: 116.1)	630 (fc: 58.5)
NesyLite 330 Standard	6,012 (fc: 558.7)	1,275 (fc: 118.5)	675 (fc: 62.7)
with reflecting barndoors	7,816 (fc:726.3)	1,715 (fc: 159.4)	885 (fc: 82.2)

Dimensions (mm)	A	B	C	D	E
NesyLite 110	615	140	85	780	315
NesyLite 220	615	218	85	780	400
NesyLite 330	615	300	85	780	490

Illustration with optional pole operation



We continue to develop our products on an ongoing basis. Please appreciate the necessity for changes to the data or design.
Status 09/2002

Nesys Lichtsysteme Kirchplatz 35, D-82538 Geretsried / Germany
Phone: +49 (0) 8171 – 63299, Fax: +49 (0) 8171 – 64161
www.nesys.de, info@nesys.de

Nesys

